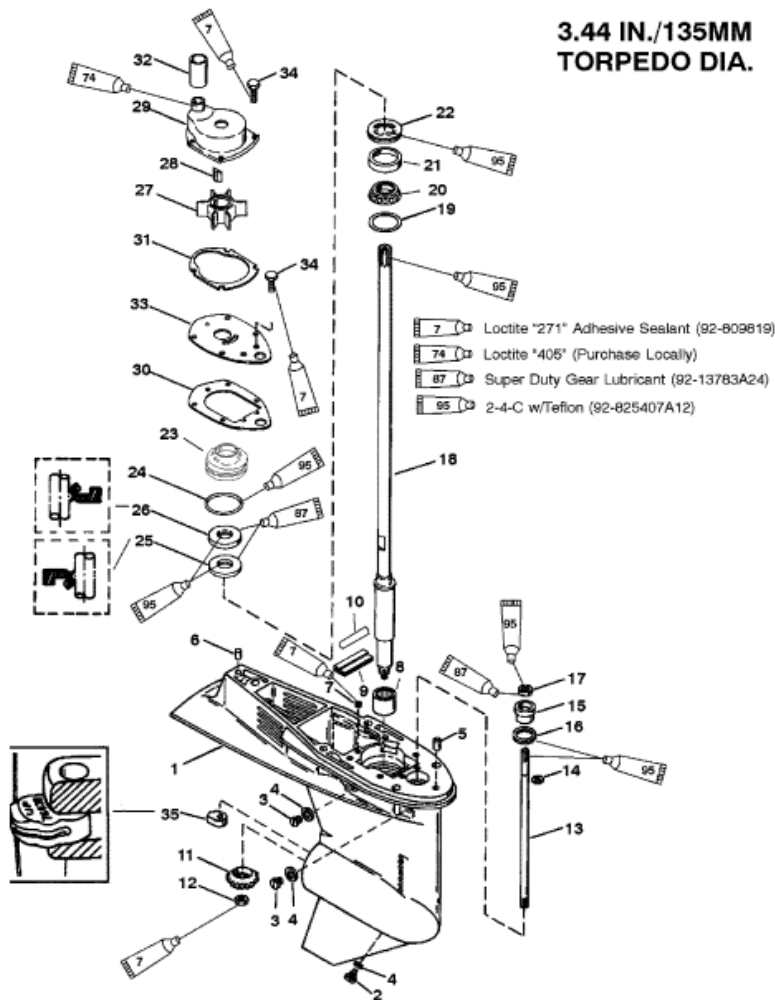


**3.44 IN./135MM  
 TORPEDO DIA.**



**Parts List**

| Ref | Class | Part    | Description            | Qty | Comment              | Footnote |
|-----|-------|---------|------------------------|-----|----------------------|----------|
| -   | 1671  | 9760A23 | GEAR HOUSING           | 1   | (BLACK) SHORT        |          |
| -   | 1671  | 9760A24 | GEAR HOUSING           | 1   | (GRAY) SHORT         |          |
| -   | 1671  | 9760A25 | GEAR HOUSING           | 1   | (BLACK) LONG         |          |
| -   | 1671  | 9760A26 | GEAR HOUSING           | 1   | (GRAY) LONG          |          |
| -   | 1671  | 9760A28 | GEAR HOUSING           | 1   | (BLACK) X-LONG       |          |
| -   | 1671  | 9760A29 | GEAR HOUSING           | 1   | (GRAY) X-LONG        |          |
| 1   | 1671  | 9760A30 | GEAR HOUSING           | 1   | (BLACK)              |          |
| 1   | 1671  | 9760A31 | GEAR HOUSING           | 1   | (GRAY)               |          |
| 2   | 22    | 67892A  | DRAIN SCREW            | 1   |                      |          |
| 3   | 10    | 79953A  | SCREW                  | 2   |                      |          |
| 4   | 12    | 19183   | WASHER-SEALING         | 3   |                      | 5,4,9    |
| 5   | 17    | 43043   | DOWEL PIN              | 1   |                      |          |
| 6   | 17    | 43044   | DOWEL PIN              | 1   |                      |          |
| 7   | 22    | 56800   | PIPE PLUG              | 1   |                      |          |
| 8   | 31    | 812768  | ROLLER BEARING         | 1   |                      |          |
| 9   |       | 818226A | SEAL KIT               | 1   |                      |          |
| 10  |       | NSS     | FILLER PLATE           | 1   |                      | 7        |
| 11  | 43    | 813694  | PINION GEAR (14 TEETH) | 1   |                      |          |
| 12  | 11    | 55910   | NUT                    | 1   |                      |          |
| 13  |       | 812732A | SHIFT SHAFT ASSEMBLY   | 1   | (SHORT/LONG)         |          |
| 13  |       | 815420  | SHIFT SHAFT            | 1   | (X-LONG)             |          |
| 14  | 53    | 29641   | RETAINING RING         | 1   |                      |          |
| 15  | 23    | 813696A | BUSHING ASSEMBLY       | 1   |                      |          |
| 16  | 25    | 45258   | O-RING                 | 1   |                      | 5,9      |
| 17  | 26    | 816464  | OIL SEAL               | 1   |                      | 9        |
| 18  | 45    | 815422  | DRIVE SHAFT            | 1   | (SHORT) 60 ELECTRIC  |          |
| 18  | 45    | 812731  | DRIVE SHAFT            | 1   | (LONG) 60 ELECTRIC   |          |
| 18  | 45    | 815421  | DRIVE SHAFT            | 1   | (X-LONG) 60 ELECTRIC |          |
| 18  | 45    | 812731  | DRIVE SHAFT            | 1   | (55 MANUAL)          |          |
| 19  | 15    | 812770A | SHIM SET               | AR  |                      | 10       |
| 20  | 31    | 77420A  | TAPERED ROLLER BEARING | 1   |                      |          |
| 21  |       | NSS     | CUP                    | 1   |                      | 7        |
| 22  | 11    | 812820  | NUT                    | 1   |                      |          |
| 23  | 46    | 812966A | WATER PUMP BASE        | 1   |                      | 4,6      |
| 24  | 25    | 30224   | O-RING                 | 1   |                      | 5,9,4    |
| 25  | 26    | 814669  | OIL SEAL               | 1   |                      | 4,9      |
| 26  | 26    | 814670  | OIL SEAL               | 1   |                      | 4,9      |
| 27  | 47    | 19453   | IMPELLER               | 1   |                      | 4        |
| 28  | 28    | 19699   | KEY                    | 1   |                      | 4        |
| 29  |       | 14334A  | WATER PUMP             | 1   |                      | 4        |
| 30  | 27    | 18701   | GASKET                 | 1   | (LOW/EP)             | 5,9,4    |